



# Einhell

**GREY**

## TS 230 Cutting Stand

Art.-No. 44.310.50

The Cutting Stand is suitable for angle grinders with disc size of  $\varnothing$  230 mm. This practical Cutting Stand transforms an angle grinder into a multi-purpose and safety cutting machine for profiles, tubes and rods made of metal. This unit has universal applications and is suitable for most of the usual angle grinders.

### Features

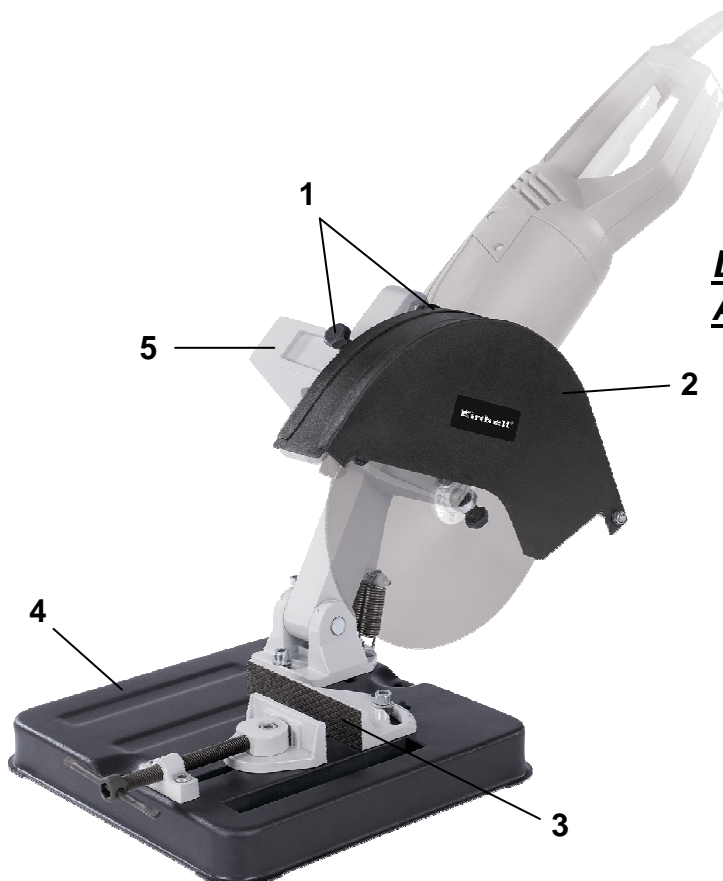
- Universal adjustable fixing brackets for an angle grinder (1)
- Spark protection (2)
- Adjustable tool clamping device, also suitable for angle cuts (3)
- Solid steel-panel base (4)
- Strong upper body made of cast aluminium with a robust lag-hinge and spring release (5)

### Technical Data

- Size of base plate: 300 x 300 mm
- For angle grinder:  $\varnothing$  230 mm
- Product weight: 3.5 kg

### Logistic Data

- Net weight: 3.5 kg
- Gross weight: 3.7 kg
- Packing dimensions: 300 x 125 x 300 mm
- Bar code: 4006825 509366
- Sales unit: 6 pcs



**Delivery without  
Angle Grinder!**